



## MACHINE DESCRIPTION

The labelling machine ETC prints and applies labels in real time with "aspirating blowing" pneumatic applicator.

Possibility of using the machine:

- to create your labels with PC or touch-screen monitor;
- only to apply pre-printed labels.

Ideal for labelling trays and pots even if they are moving.

TECHNICAL DATA	M.U.	ETC
LABELS HEIGHT (H max)	mm	100
HOURLY PRODUCTION	labels/hour	2000
WEIGHT	kg	70
INSTALLED POWER (230 V)	kW	0,5
AIR CONSUMPTION (max)	l/min	90

## TECHNICAL SPECIFICATIONS

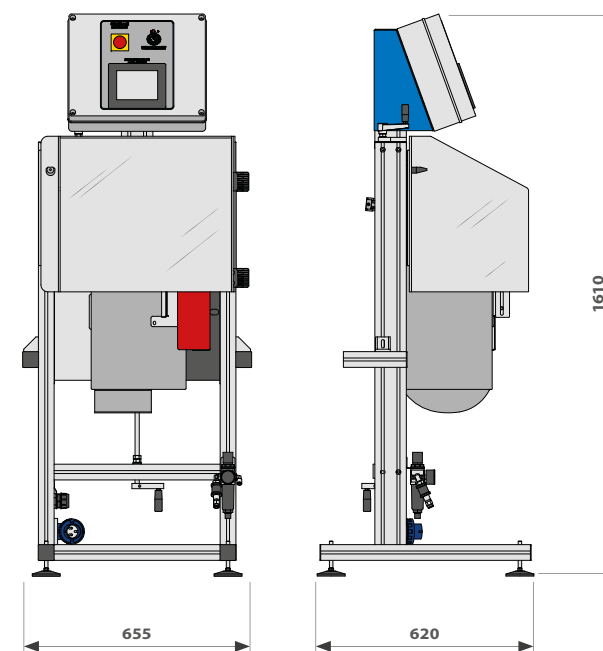
- Control with 3,8" monochromatic touch-screen (labels from PC) or 5,7" monochromatic (labels from touch-screen).
- Label making with PC or 5,7" monochromatic touch-screen.
- Adjustable working height.
- Height adjustable through handle.
- Sensor for product to label.

## DETAILS

page 81

## ACCESSORIES

- **Kit for application** on belt mod. NTA or potting machine belt.
- **Wheel kit** for manual movement.



### ETCF



#### MACHINE DESCRIPTION

**Labelling machine ETC** assembled **in front of** the denester ND, with pneumatic denester with 2 movements to label expanded polystyrene trays.



ND with **4 label machines** mod. ETC for applying approx 3200 labels/hour.



ETCF working with the seeding line.

### ETC2



#### MACHINE DESCRIPTION

**Pair of labelling machines ETC** assembled on denester ND to label pots and shuttle trays.



Video



# DETAILS

## LABELLING MACHINES

Good quality printing on a wide range of labels in glossy or mat paper and on many other materials.



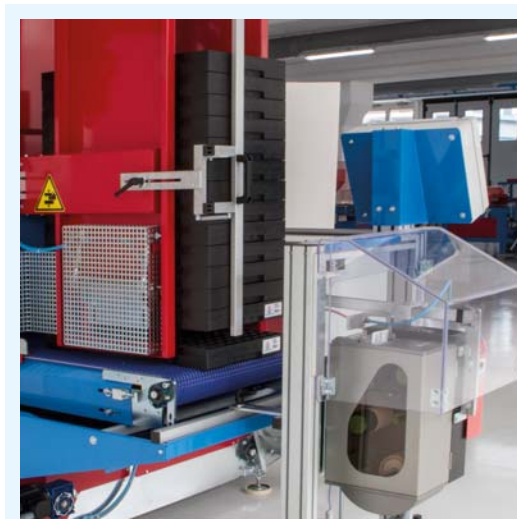
Labelling machine **mod. ETS**: applies 70x220 mm labels on the **tray side**.



Printing head **completely openable** for easy loading.



Labelling machine **mod. ETS**: applies 40x40 mm labels on **single pots**.



Labelling machine **mod. ETC**: applies labels **to the trays coming out** from the denester.



**Touch-screen display** to create labels.

